

Q-Aviation Lighting / Portable Lighting / Battery Operated Portable

**Q-BOL**



**TECHNICAL DETAILS**

Application:	Runway Barricade light, Runway Threshold Light, Runway Edge light, Runway approach light Runway Apron light Taxiway lighting
Light Colour:	Red 630 nm, Green 530 nm, White 5.700K, Yellow 590 nm, Blue 473 nm and IR 850 nm
Light Source:	LED
Light Intensity:	as per Figure 1 on page 3
Vertical Beam Profile:	as per Figure 1 on page 3
Colour chromaticity:	as per Figure 2 on page 3
Enclosure:	GRP & Anodized aluminium
Mounting:	4x magnet Optional mounting plate
Operating Voltage:	12 Vdc
Ambient Temp:	-25° to +65° C
In Compliance With:	ICAO Annex 14 FAA
Life expectancy:	75.000+ hours
IP index:	IP 67
Weight:	9.35 kg.
Battery:	Rechargeable
Energy Storage:	On-board battery status
Construction:	UV-resistant polycarbonate lens
Battery:	12V, 12AH A-Quality
Dimensions:	184x184x278 mm (LxWxH)
Packaging dimension:	200x200x300 mm (LxWxH)

**CERTIFICATES**



**DESCRIPTION**

The Q-Portable lighting products are the smallest in the market. This reduces obstructions next to the runway or at barricades.

The Q-BOL is available in several configuration from single colour portable light to multi-purpose portable light including IR.

**ORDER CODE**

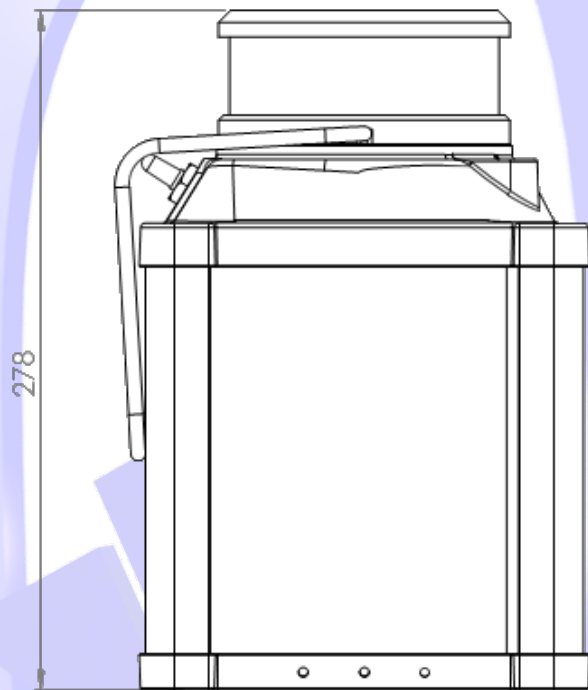
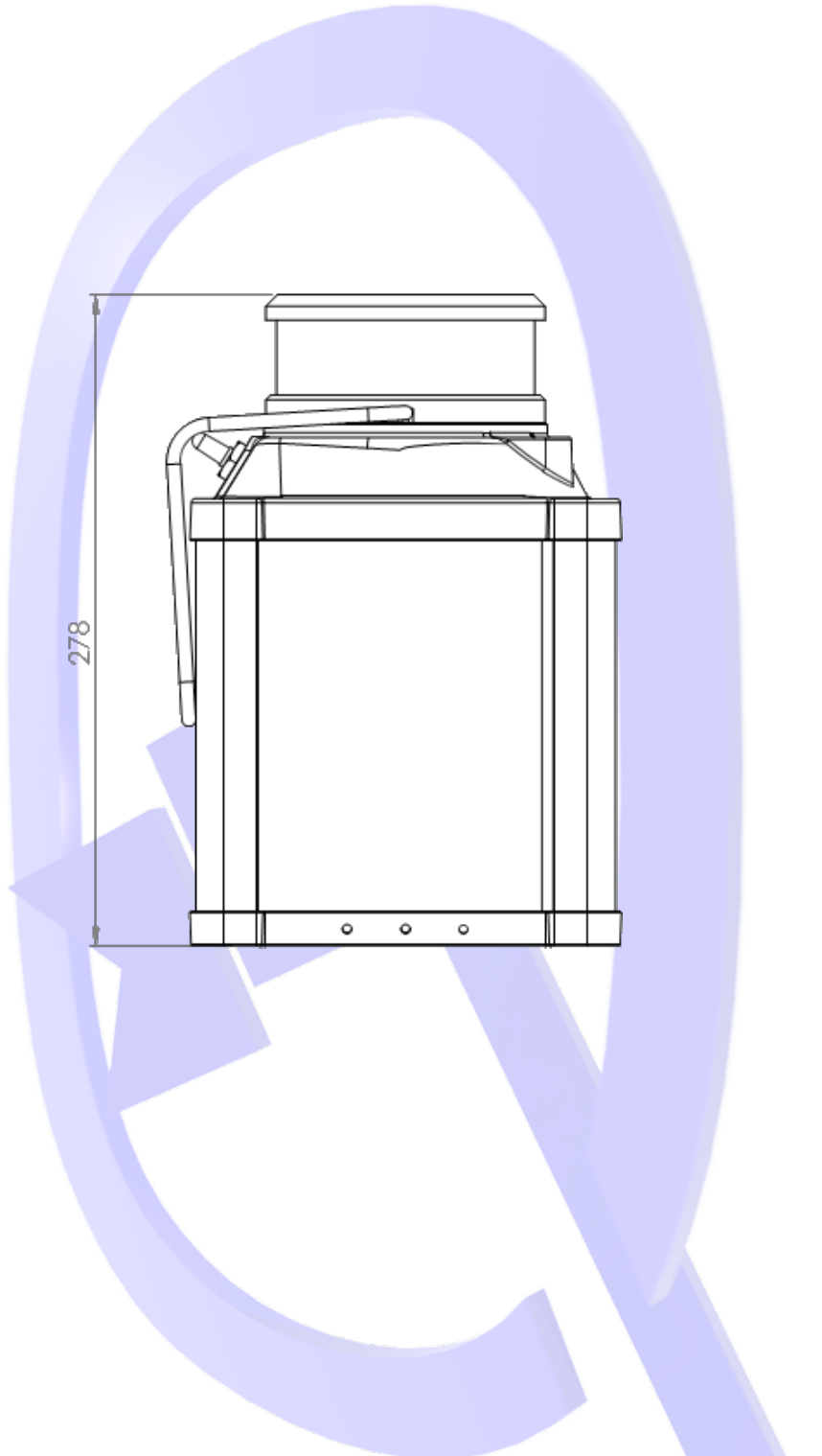
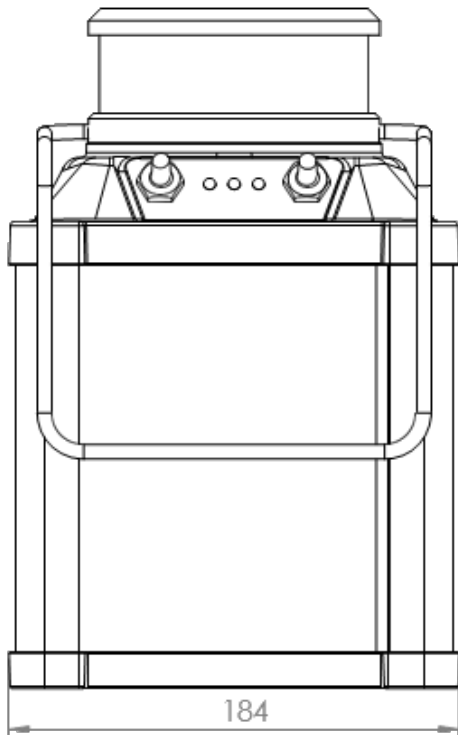
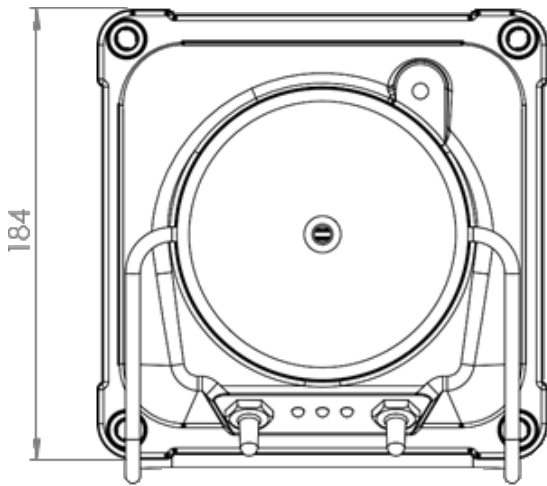
**Q20PT00 11 R1**

**Q20PT00 – Q-BOL**

- 11** Q-BOL single colour
- 12** Q-BOL multi-colour
- 13** Q-BOL multicolour + IR

## MAIN DIMENSIONS

The main dimensions and mounting are displayed dimensions in the image below:



**COLOUR INFORMATION**

In the figure below the chromaticity of each colour is displayed:

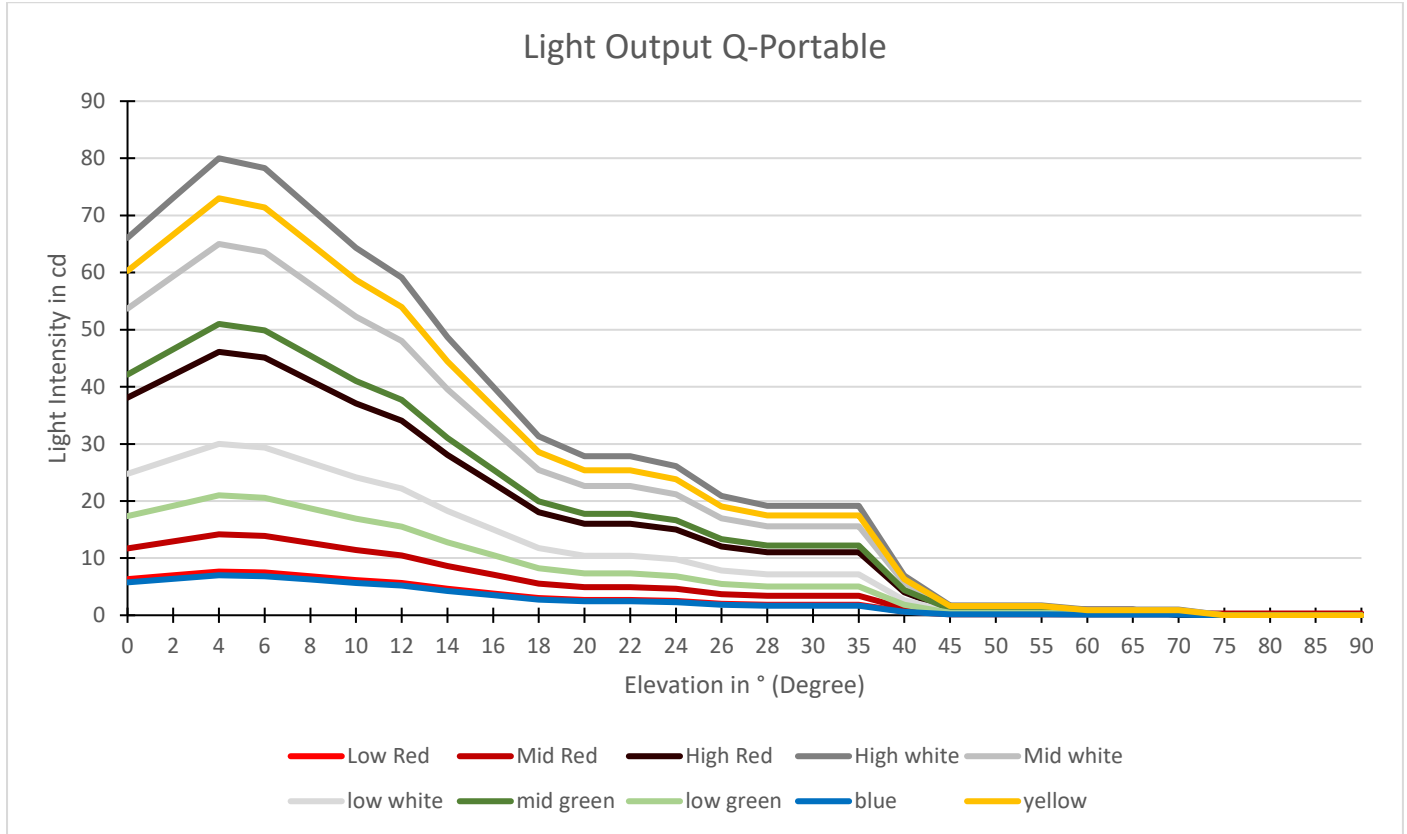


Figure 1; Light output graph

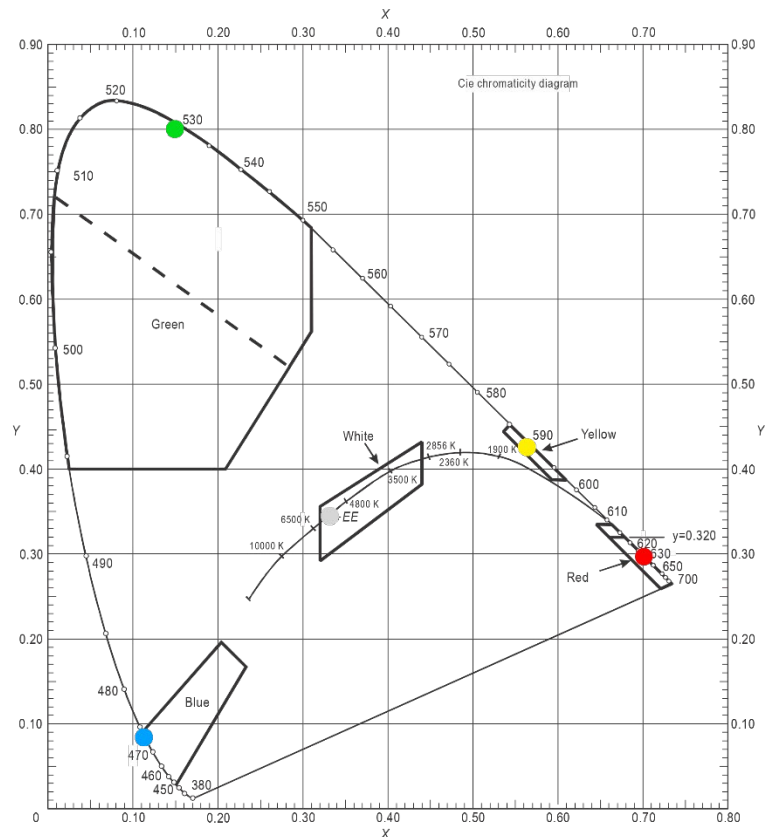
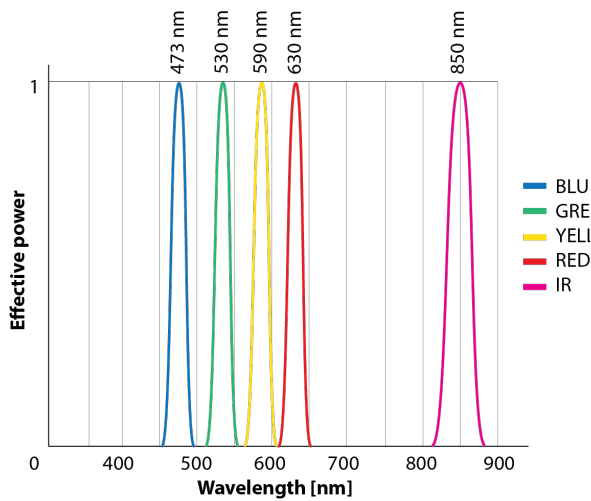


Figure A1-1b. Colours for aeronautical ground lights (solid state lighting)

Figure 2; Colour chromaticity vs ICAO annex 14.