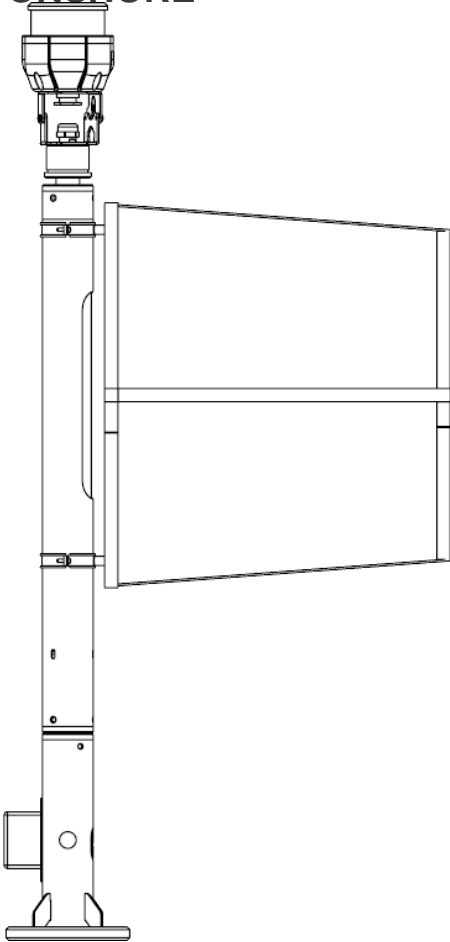


Q-Aviation Lighting / Helipad Lighting / Q-WDI Internally Lighted, Onshore

Q-WDI INTERNALLY LIGHTED, ONSHORE



TECHNICAL DETAILS

Application:	Helipad/Heliport
Classification:	Safe Area
Assembly:	Internally lighted with obstruction light
Internal Light Source:	LED, steady burning, colour White
Obstruction Light Source:	LED, steady burning, colour Red
Lighting unit material:	SS316
Obstruction Light:	Q81RI03, Q-Obstruction Light Low Intensity 32 cd
Mast Specification:	Aluminium, Ø100 x 2mm
Mounting:	Tiltable foot
Input Voltage:	1) 100-240 Vac 50-60 Hz 2) 24 Vdc
Windsock Frame:	SS316. Rotating Frame and Hoop
Ambient Temp:	-25° to +65° C
In Compliance With:	ICAO, Annex 14 vol. II
Consumption:	26 Watt
IP index:	IP 66
Life expectancy:	100.000+ hours
Mast Length:	Up to 6m
Windsock colour:	Red/White striped or Orange
Windsock sizes:	Ø30 x 120 cm - 11,8" x 3,9ft.
(Windsock not included)	Ø45 x 250 cm - 17,7" x 8,2ft.
	Ø50 x 150 cm - 19,7" x 4,9ft.
	Ø60 x 240 cm - 23,6" x 7,8ft.
	Ø90 x 366 cm - 35,4" x 12,0ft.
	Ø90 x 375 cm - 35,4" x 12,3ft

DESCRIPTION

The Q-WDI Internally lighted, Onshore comes as a full LED solution. The Q23IL90 Q-Wind Direction indicator with his 360 degree rotatable top unit makes this wind direction indicator ideal for all onshore applications.

CERTIFICATES



ORDER CODE

Q23IL90 - Q-WDI Internally lighted, Onshore

Q23IL90 **11** **R1**

- 11** Input power: 100-240 Vac
- 12** Input power: 24 Vdc



ISO Certificate: 2018-0084977
QAR Certificate: GB/ITS/QAR17.0013/00
Notified body number: C0359

Q-AVIATION B.V. | Waldammeweg 7
4338 PM Middelburg | The Netherlands
Controlled document: V1 - Control date: 01-10-2018

Order codes Wind Direction Indicator mast:

WDIM03AL -	0,30 meter Aluminium mast for Wind direction indicator (Standard)	The following mast types are available:
WDIM30AL -	3,00 meter Aluminium mast for Wind direction indicator	
WDIM40AL -	4,00 meter Aluminium mast for Wind direction indicator	
WDIM50AL -	5,00 meter Aluminium mast for Wind direction indicator	
WDIM60AL -	6,00-meter Aluminium mast for Wind direction indicator	

- SS – Stainless steel SS316
- AL – Aluminium
- RW – Red/White coated
- OR – Orange coated

Order codes Wind Direction Indicator Frame

Q23WSF30 -	Windsock Frame SS316 for Q-Windsock Ø30x120 cm
Q23WSF45 -	Windsock Frame SS316 for Q-Windsock Ø45x250 cm
Q23WSF50 -	Windsock Frame SS316 for Q-Windsock Ø50x150 cm
Q23WSF60 -	Windsock Frame SS316 for Q-Windsock Ø60x240 cm
Q23WSF90 -	Windsock Frame SS316 for Q-Windsock Ø90x366/375 cm

Windsock Frame Material:

- SS316 only

Order codes Q-Windsock

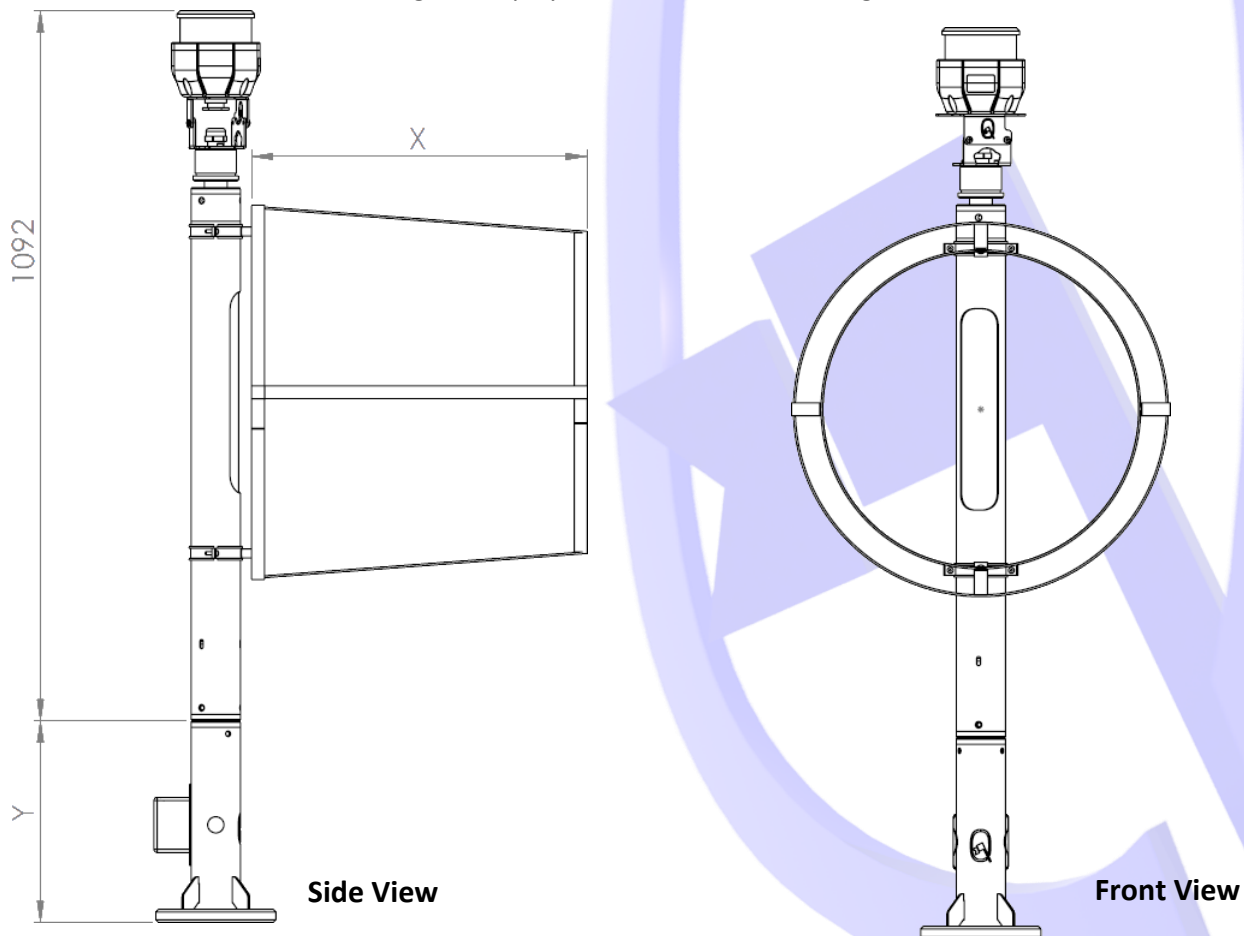
Q24NA-21xx -	Q-Windsock Ø30x120 cm Orange or Red White Striped
Q24NA-22xx -	Q-Windsock Ø45x250 cm Orange or Red White Striped
Q24NA-23xx -	Q-Windsock Ø50x150 cm Orange or Red White Striped
Q24NA-24xx -	Q-Windsock Ø60x240 cm Orange or Red White Striped
Q24NA-25xx -	Q-Windsock Ø90x366 cm Orange or Red White Striped
Q24NA-26xx -	Q-Windsock Ø90x375 cm Orange or Red White Striped

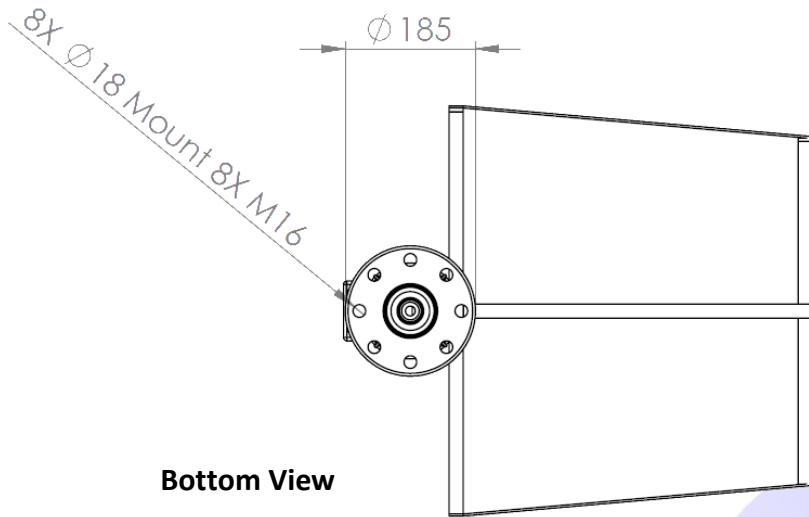
The following Windsock colours are available:

- RW – Red/White Striped
- OR – Orange

MAIN DIMENSIONS

The main dimensions and mounting are displayed dimensions in the images below:





MAIN DIMENSIONS

The main dimensions and mounting are displayed dimensions in the image below:

